

NEUE  
**HERBOLD**  
*Pulverizers*

**ZM**



# ZM Pulveriser range

## Applications

The Neue Herbold ZM pulverizer range is designed for pulverising of semi-rigid, brittle and impact resistant materials where a powdered product is required. Granulate of size 6-8 mm is fed via vibrofeeder to the rotating high speed serrated discs to produce a powder product in the required 300-1000 micron range and where the final size is determined by the adjustable disc spacing. Typical applications are the pulverising of LDPE, HDPE, UPVC, PC and various other plastics.

## Design

The Neue Herbold ZM range are extremely high output units which can be equipped with automatic temperature control. The material to be pulverised is fed centrally between a fixed and a high speed rotating pulveriser disc with centrifugal effect carrying the material through the processing zone before being discharged from the machine pneumatically.

The Neue Herbold ZM pulverisers operate without an internal screen and the particle size of the product is determined by the type of material being processed, the disc construction and the processing gap between the discs. Depending on final product requirements a screening machine with coarse refeed unit can be simply incorporated into the system.

## Advantages

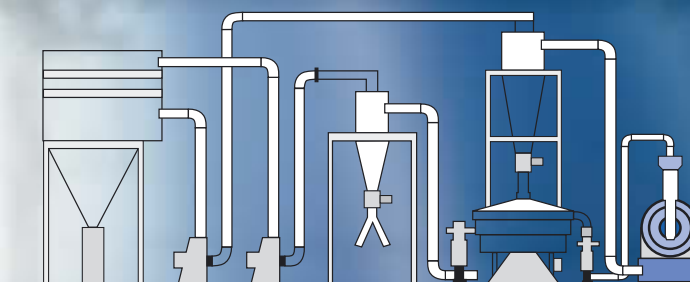
- Long service life of the discs between resharpenings
- Fast and easy replacement and adjustment of discs
- Low residence time means lower thermal stress on the process material
- High throughput capabilities
- Cost effective operation



ZM 800



ZM 800



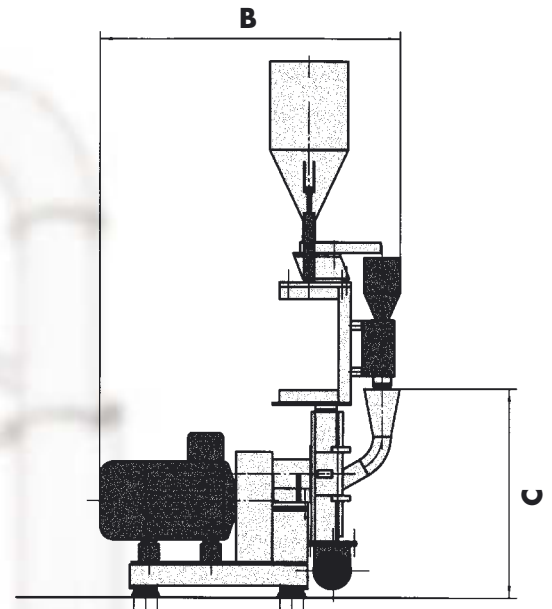
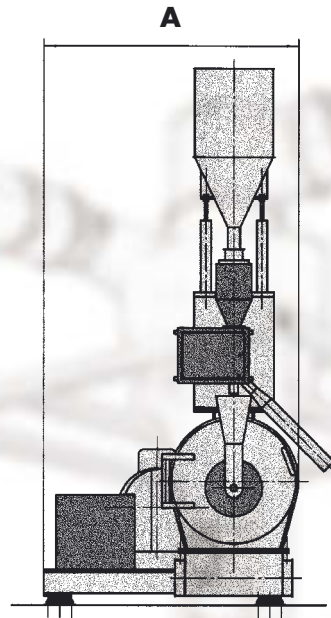
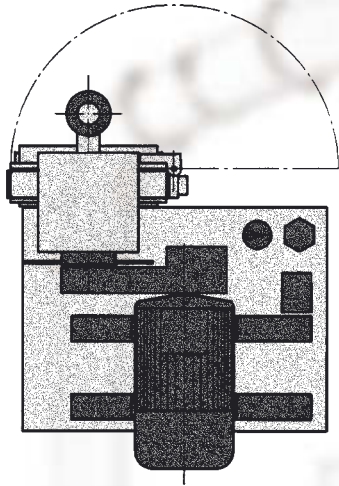
Pulverizer system with screening machine

**Performance examples approx.**

Material	ZM 300	ZM 500	ZM 800
Profile-Granulate H-PVC	200 kg/h	400 - 500 kg/h	800 - 1000 kg/h
Pipe-Granulate H-PVC	250 kg/h	450 - 600 kg/h	900 - 1100 kg/h
PE	120 kg/h	250 - 300 kg/h	400 - 500 kg/h

**Dimensions approx. / mm**

Type	A	B	C
ZM 300	1150	1280	1035
ZM 500	1430	1685	1180
ZM 800	1345	2215	1750



**ZM 500**

**NEUE  
HERBOLD**

Maschinen- und Anlagenbau GmbH  
 Wiesenstraße 44 · 74889 Sinheim  
 Telefon +49 (0) 7261 9248-0 · Telefax +49 (0) 7261 9248-99  
 www.neue-herbold.com · info@neue-herbold.com