

NEUE
HERBOLD
Granulators

SM



SM granulator range

The Neue Herbold SM range of heavy duty granulators are specially designed for universal applications. With heavy duty rotor variants and the optional installation of extra stator blades the SM range can be used for heavy duty processing of large headwaste lumps and purgings, massive profiles, thick walled pipes and other extreme wall thickness items.

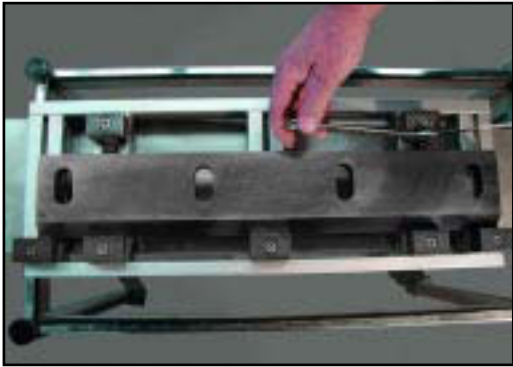
Simple removal of the extra stator blade options allows for optimum processing of larger hollow parts such as containers, drums and crates. The SM granulator range is designed for multi-purpose requirements of an all round recycling operation.

Design

The Neue Herbold SM range of granulators are designed with the true 'double cross cutting action' of oppositely inclined rotor and stator blades. This cutting geometry ensures a very precise cutting gap over the complete blade length thus giving lower power, noise and fines characteristics. All blades, rotor and stator, are preadjusted outside of the machine in a supplied setting jig. The bearings are mounted outboard of the granulator chamber ensuring no cross ingress of grease, heat or fines. The completely welded and fracture proof housing can be fitted with exchangeable wear plates to protect against extraordinary stress and abrasion.

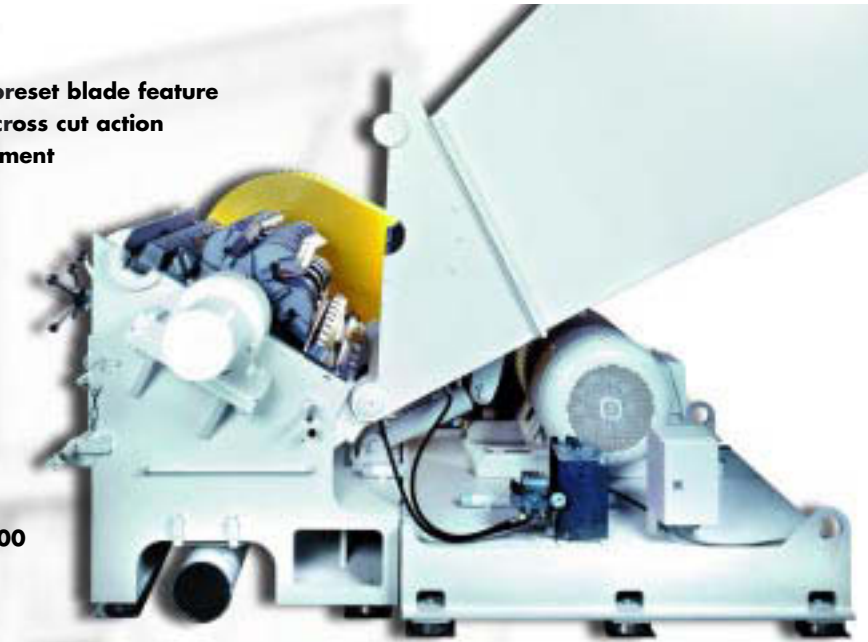
Rotor/Stator knife adjustment

The rotor and stator knife adjustment is carried out outside of the granulator in an adjustment fixture prior to installation in the granulator.



Advantages

- Reduced downtime for blade changing due to preset blade feature
- Lower noise level characteristics of the double cross cut action
- Compact design means minimum space requirement
- Universal, multi-purpose application
- Highest throughput capacities
- Energy saving size reduction



SMV 600/1000



SM 600/1000

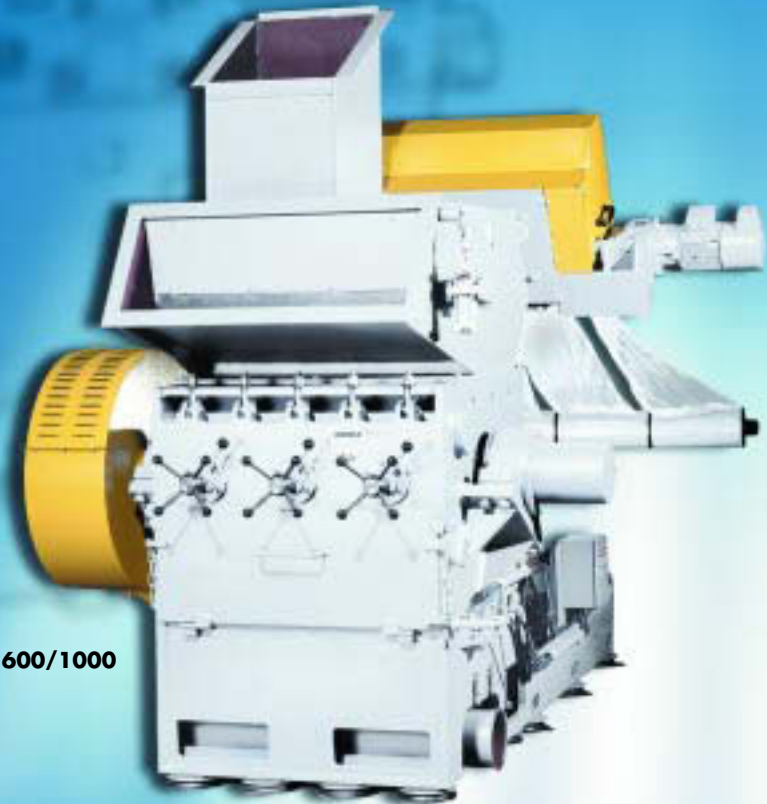
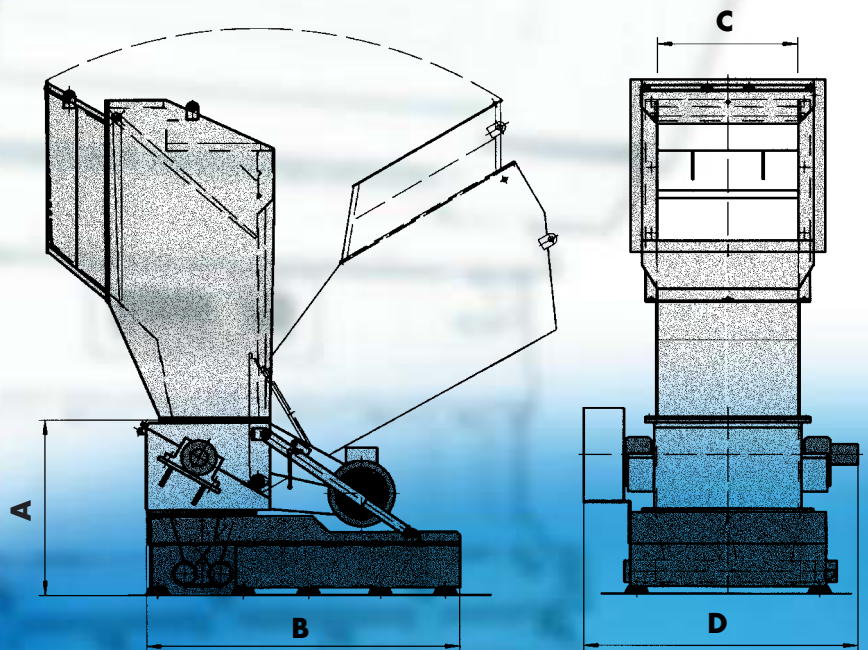


Performance examples

Type	Feed Opening	Rotor \varnothing	Drive	Weight	Throughput approx.
SM 300/300	500 x 290 mm	300 mm	11 - 37 kW	1400 kg	150 - 250 kg/h
SM 300/500	500 x 490 mm	300 mm	11 - 37 kW	1800 kg	200 - 400 kg/h
SM 300/800	500 x 790 mm	300 mm	11 - 37 kW	2100 kg	250 - 500 kg/h
SM 450/600	600 x 580 mm	450 mm	37 - 90 kW	3000 kg	400 - 1200 kg/h
SM 450/800	600 x 770 mm	450 mm	45 - 90 kW	3800 kg	500 - 1300 kg/h
SM 450/1000	600 x 970 mm	450 mm	45 - 90 kW	4800 kg	600 - 1500 kg/h
SM 450/1600	600 x 1580 mm	450 mm	45 - 90 kW	6400 kg	900 - 2000 kg/h
SM 600/600	720 x 580 mm	600 mm	55 - 110 kW	3000 kg	600 - 1500 kg/h
SM 600/800	720 x 780 mm	600 mm	55 - 110 kW	4100 kg	780 - 2000 kg/h
SM 600/1000	720 x 970 mm	600 mm	55 - 110 kW	5000 kg	1000 - 2200 kg/h
SM 800/1000	940 x 980 mm	800 mm	75 - 160 kW	8000 kg	1500 - 4000 kg/h
SM 800/1200	940 x 1160 mm	800 mm	75 - 160 kW	9000 kg	2000 - 5000 kg/h
SM 800/1600	940 x 1560 mm	800 mm	90 - 200 kW	11000 kg	2500 - 6000 kg/h
SM 800/2000	940 x 1960 mm	800 mm	90 - 200 kW	15000 kg	3000 - 8000 kg/h

Dimensions approx. / mm

Type	A	B	C	D
SM 300/300	900	1800	290	1130
SM 300/500	900	1800	490	1350
SM 300/800	900	1800	790	1650
SM 450/600	1200	2100	580	1600
SM 450/800	1300	2300	770	1900
SM 450/1000	1400	2300	970	2100
SM 450/1600	1400	2300	1580	2600
SM 600/600	1300	2600	580	1600
SM 600/800	1300	2600	780	1900
SM 600/1000	1600	2600	970	2100
SM 800/1000	2000	2700	980	2200
SM 800/1200	2000	2700	1160	2250
SM 800/1600	2000	2900	1560	2750
SM 800/2000	2000	2900	1960	3200



**NEUE
HERBOLD**

Maschinen- und Anlagenbau GmbH
 Wiesenstraße 44 · 74889 Sinsheim
 Telefon +49 (0) 7261 9248-0 · Telefax +49 (0) 7261 9248-99
 www.neue-herbold.com · info@neue-herbold.com